

TACH-IT®

INSTRUCTION MANUAL AND PARTS LIST FOR TACH-IT MODEL #6125 DEFINITE LENGTH DISPENSER FOR PRESSURE SENSITIVE AND NON-PRESSURE SENSITIVE MATERIALS.



Ben Clements and Sons, Inc. / Clements Industries, Inc.
50 Ruta Court, South Hackensack, New Jersey 07606 USA. 201-440-5500, 1-800-222-5540, fax 201-440-1455

Tach-It (UK) England, Clements Industries Japan, Clements Industries Inc. Korea
Tach-It and Twisters are registered, copyrighted or trademarks of Clements Industries, Inc.
© Ben Clements & Sons, Inc. and Clements Industries, Inc. 1999

Printed in USA

Please read this instruction manual completely prior to first use of the machine. It is also recommended that this instruction manual is kept for future use.

Contents:

1. Cautions.
2. Description of parts.
3. Operational functions of the different components.
4. Operations functions of the LCD display.
5. How to load the tape into the machine.
6. How to set the tape length.
7. How to use the control panel.
8. Replacing the cutter unit and error codes.
9. Parts breakdown and exploded view.
10. Specification of the machine.

Section 1: Cautions:



Do not use this machine near water or touch with wet hands.



Turn off power before removing the cutter unit, clearing tape jams, or doing any service or maintenance on the machine.

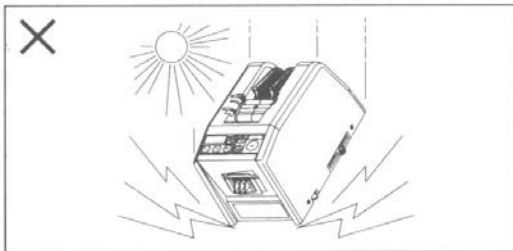


Repair of this machine should only be done by a factory trained service technician.

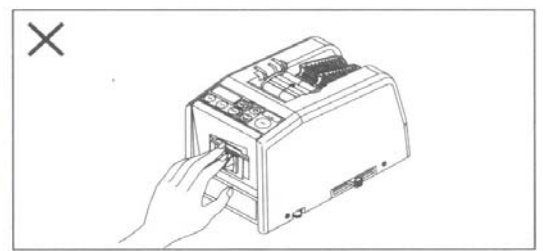


Make sure this dispenser is used only on a flat, level and dry surface.

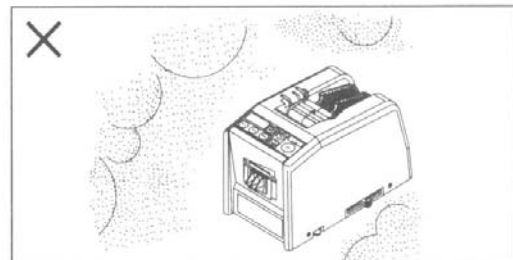
This machine should only be used for its intended purpose. Use of this machine on other than intended purpose can cause damage of the machine, product, operator and voids all warranties expressed or implied. If there is any question about the viability of an Application, please contact the manufacturer or distributor for evaluation.



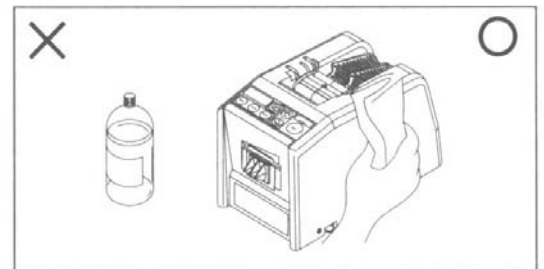
Do not leave the dispenser in direct sunlight. Do not drop the dispenser or subject it to heavy shocks.



Do not insert fingers, tools or anything else into the cutting mechanism while machine is plugged in. Watch for jewelry and loose clothing.

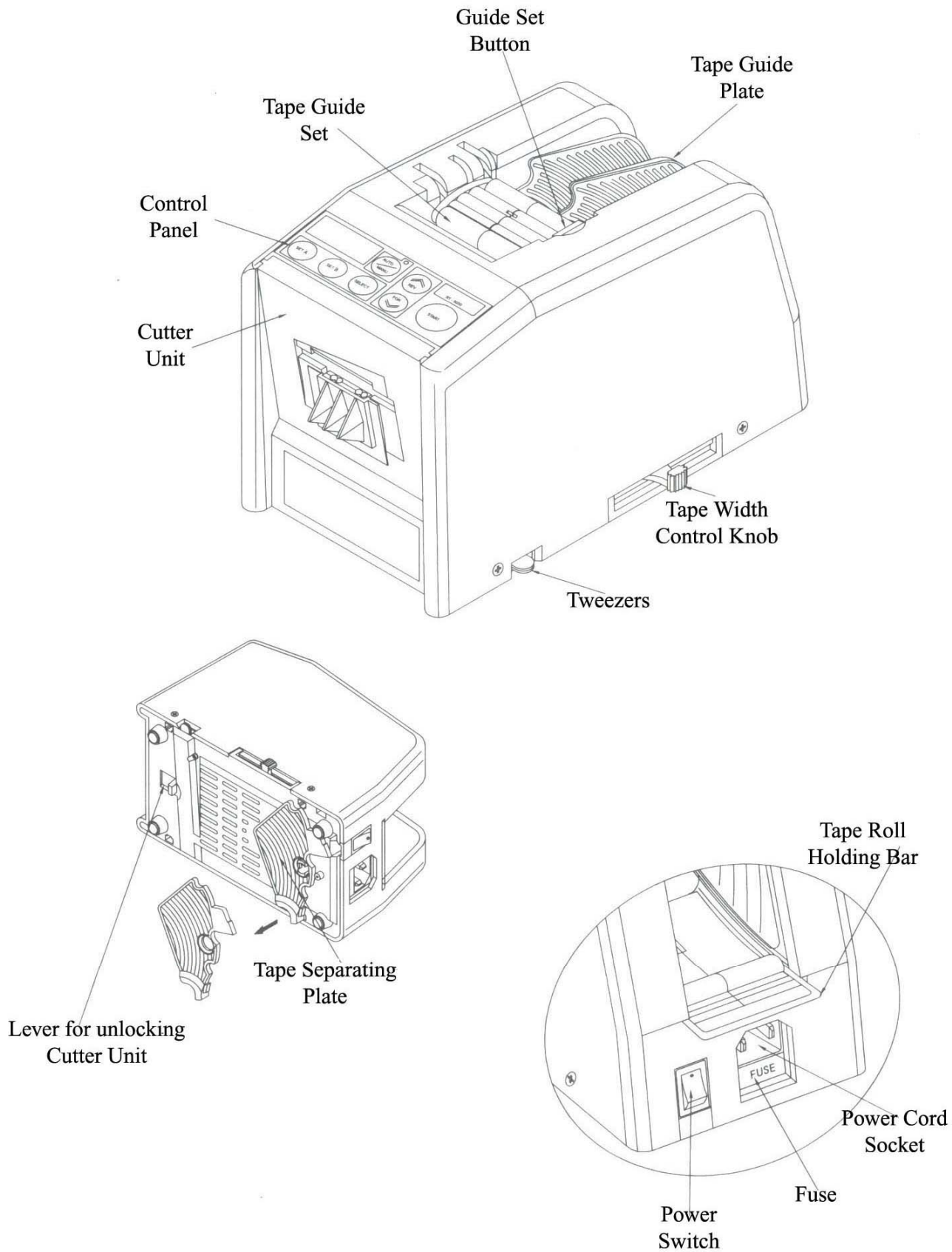


Do not use this dispenser in very dusty or humid environments.

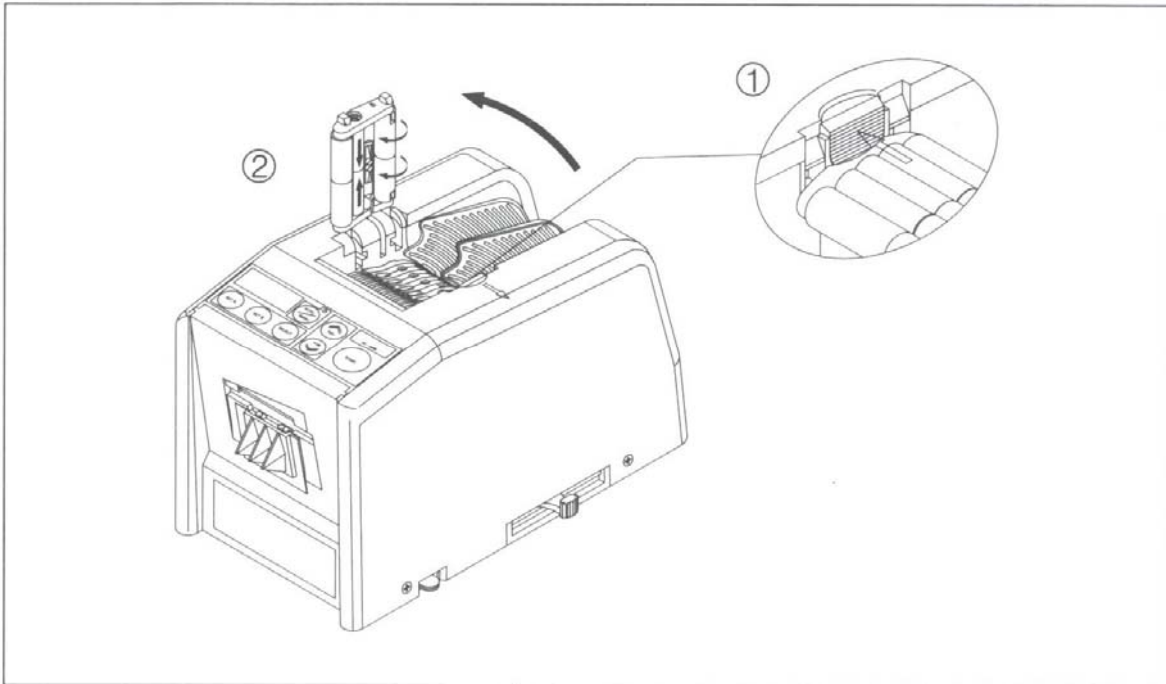


Do not use this dispenser near volatile or explosive chemicals. Clean dispenser with a dry clean, cloth.

Section 2: Description of Parts:

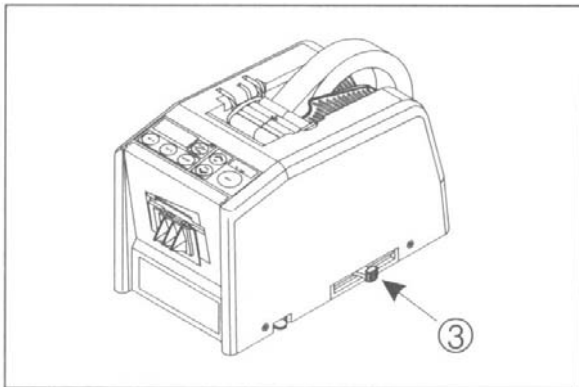


Section 3: Operational Functions of the Different Components:

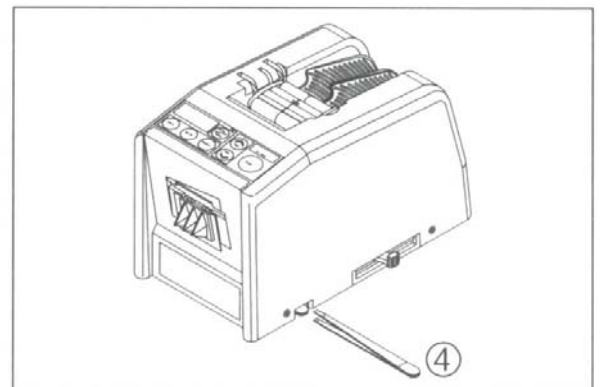


1) Push to raise the Tape Guide Set.

2) If the tape curls or slips widen both levers located on the bottom of the Tape Guide Set. For most tapes and products, both the levers should be centered.

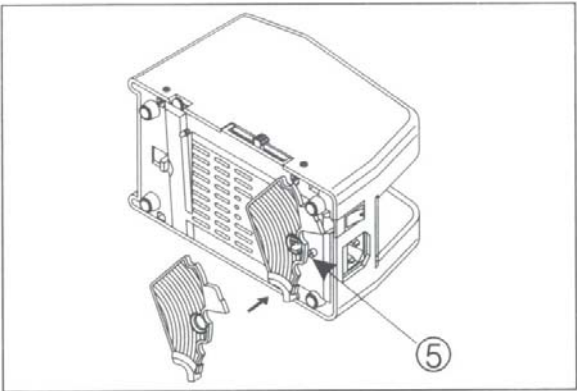


3) Used to adjust the Tape Guide Plate, and keep the roll of material to be cut centered and stable.

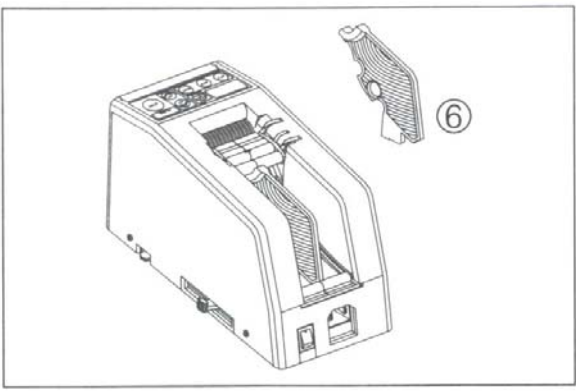


4) Tweezers—Used for removing small cut pieces of tape or jammed pieces of tape from the Cutting Unit.

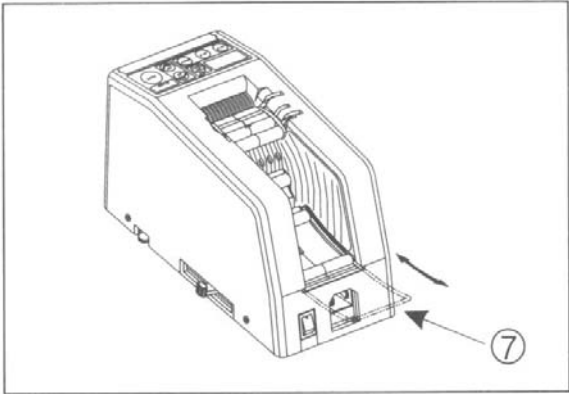
Section 3: Operational Functions of the Different Components Continued:



5) Tab for holding the Tape Separating Plate when not in use.

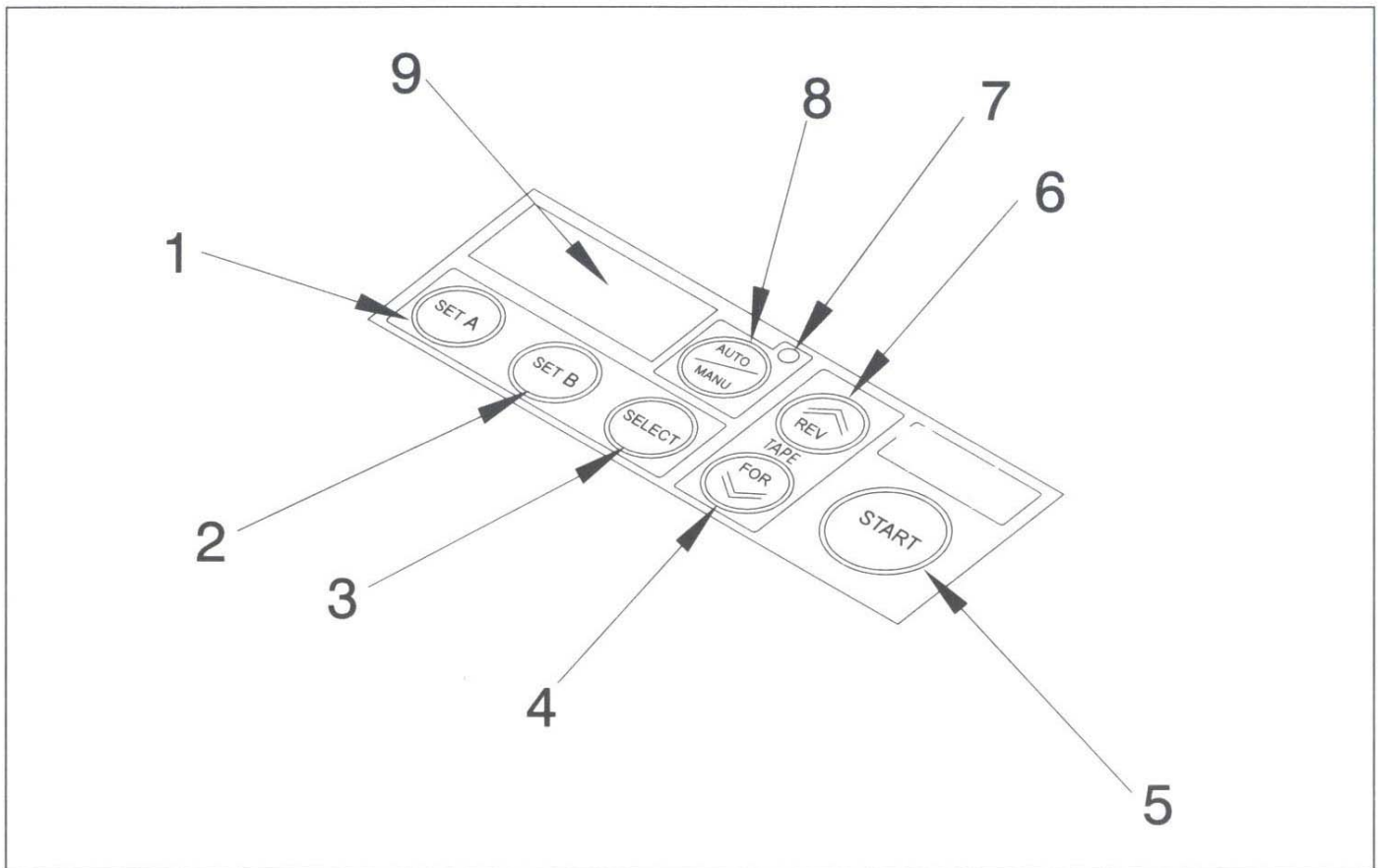


6) The Tape Separating Plate is used when using multiple rolls of materials. When not in use it can be stored on the bottom of the dispenser as shown in Figure 5.



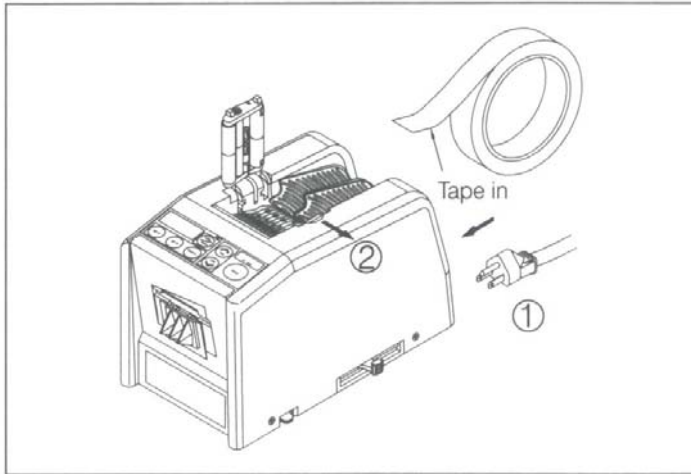
7) The Tape Roll Holding Bar is extended to support and cradle the roll of material to be cut. This design allows for the use of large rolls.

Section 4: Operational Functions of the LCD Display:



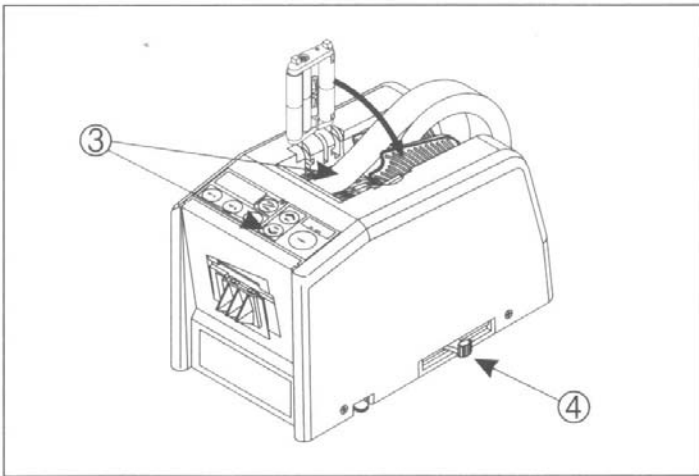
- 1) **SET A** Used to adjust the numbers on the LCD Display
- 2) **SET B**
 - A) Used to adjust tape length in (mm)
 - B) Change to operating mode between P and L.
P = Auto mode, manual mode
L= Continuous operation (set a pre-determined number of cut pieces and machine will cycle till that number is reached.
 - C) Used to adjust the desired number of cut pieces.
- 3) **SELECT** Set cut length and number of cut pieces. Also used to operate the P mode and L mode
- 4) **FWD** Feeds tape forward
- 5) **START** Feeds tape and cuts automatically during manual operation.
- 6) **REV** Rewind the tape from the cutting area.
- 7) **LED** Lamp is let when machine is in auto mode.
- 8) **AUTO/MANUAL** Changes the operating mode from Auto to Manual.
- 9) **LCD** Displays cut tape length and number of pieces.

Section 5: How to Load the Tape into the Machine:



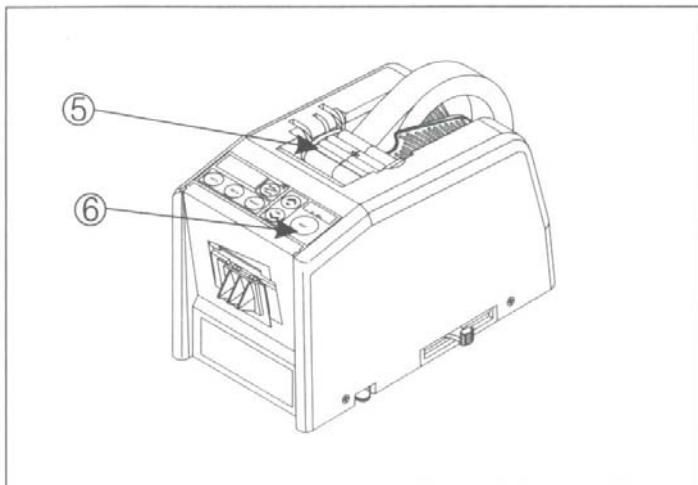
1) Plug the Power Cord into the Power Cord Socket located at the back of the machine, and turn the power to the unit on using the Power Switch.

2) Push the Guide Set Button in and release the Tape Guide Set so that it swings up per the diagram



3) Press the tape roll or material to be cut into the back of the machine between the Tape Guide Plate. Stick the end of the tape or onto the feed roller and press the FWD button until the end of the tape feeds through the Cutting Unit. If the tape will not feed through the Cutting Unit, fold the corners of the tape to form a triangle and try again. If using a non-pressure sensitive item, manually push the item over the feed rollers while pressing the FWD button until the item feeds out through the Cutting Unit.

4) Squeeze the product to be cut between the Tape Guide Plates by sliding the Tape Width Control Knob. If using multiple rolls of materials, install the Tape Separating Plate between the rolls.



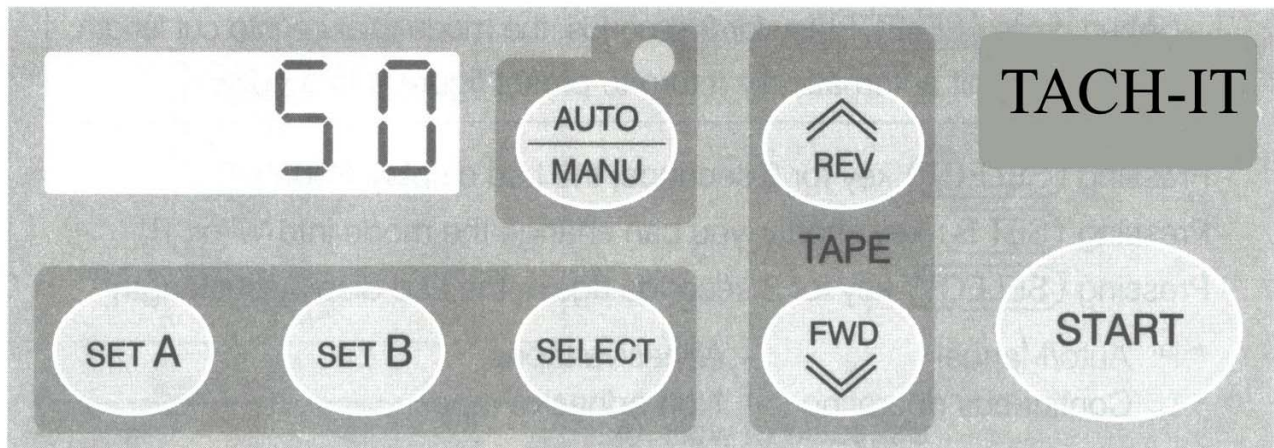
5) Close the Tape Guide Set.

6) Press the START Key to cut the tape and begin the cycle that has been programmed per the instructions in Section 6.

Section 6: How to Set the Tape Length:

PLEASE NOTE THAT THE LENGTH ON THE MODEL #6125 IS SET IN MILLIMETER (mm). THERE ARE 25.4 mm PER 1" AND TO FIGURE THE LENGTH TO BE SET MULTIPLY THE LENGTH IN INCHES BY 25.4 TO ACHIEVE THE MILLIMETER LENGTH.

- 1) The Tape Length is preset to 5mm.
- 2) Below please find an example of how to set the Tape Length. In this example, the Tape Length is being set to 50mm.
 - A) Press the SET A button until the last digit flashes. If you were setting a length of 123, the 3 would be flashing.
 - B) Set the last digit to 0 by pressing the SET B button.
 - C) Press the SET A button again and the second digit flashes. If you were setting a length of 123 the 2 would be flashing.
 - D) Set the second digit to 5 by using the SET B button.
 - E) Press the SET A button and the first digit flashes. If you were setting a length of 123 the 1 would be flashing.
 - F) Set the first digit to 0 by using the SET B button.
 - G) The LCD Display will stop flashing after 3 seconds.
 - H) Set the machine to either AUTO MODE or MANUAL MODE and press the START button.



Section 7: How to Use the Control Panel:

1) Using the SELECT Button

A) The SELECT button will switch back and forth between the preset length that has been programmed into the machine (see Section 6) and a counter for the number of pieces that the machine has cut. To reset the counter press the SET B button for 3 seconds.

B) The SELECT button is also used to switch between P mode (used for pressure sensitive products) and the L mode (used for non-pressure sensitive products). To switch into the P mode and L mode hold the SELECT button down for 3 seconds. To switch between the P mode and the L mode press the SET B button.

1) P Mode—Used for pressure sensitive tapes and products. Set the number in the P mode to the desired number of pieces to be cut. To do this, once in P mode press the SET A button and the third digit will begin to flash. Use the SET B button to change the digit. Pressing the SET A button again will make the second digit flash. Use the SET B button to change the digit to the desired setting. Press the SET A button and the first digit will flash. Use the SET B button to set the first digit. When done, wait 3 seconds and the digits will stop flashing. P Mode can be used in either AUTO MODE or MANUAL MODE. In AUTO MODE when one piece of pressure sensitive material is removed from the machine the next feeds out automatically until the preset number of pieces has been met. When the desired number has been fed, the machine will not feed any more until reset and the machine will beep. Reset by pressing the START button. To use the P mode in AUTO MODE, press the AUTO / MANU button until the LED is lit and then press START. To use the P Mode in MANUAL MODE, press the AUTO / MANU button until the LED is off and press the START button. A piece of product will be fed and cut for each press of the START button.

2) L Mode—Used for non-pressure sensitive products. First set the number in the L mode to the desired number of pieces to be cut. To do this, once in L mode press the SET A button and the third digit will begin to flash. Use the SET B button to change the digit. Pressing the SET A button again will make the second digit flash. Use the SET B button to change the digit to the desired setting. Press the SET A button and the first digit will flash. Use the SET B button to set the first digit. When done, wait 3 seconds and the digits will stop flashing. When the machine has been set in L Mode and the START button has been pressed, the machine will automatically cut the product to the preset length and will stop when the desired number that was preset has been reached. When the desired quantity has been reached the machine will stop and beep.

2) Using the FWD button. Used for the manual feeding of product.

3) Using the REV button. Used for the manual unloading or removal of product from the machine.

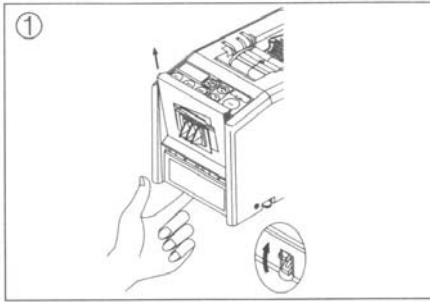
4) Using the AUTO / Manu button. Used to switch between AUTO MODE and MANUAL MODE. In AUTO MODE the next piece will be fed upon removal of the previous piece. In MANUAL MODE, the START button must be pressed each time a piece of product is desired.

5) Using the START button. Used to start whatever cycle has been programmed into the machine.

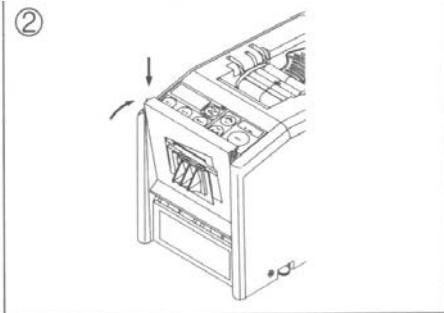
6) Using the SET A button. Used for setting length or desired number of pieces.

7) Using the SET B button. Used for setting length or the desired number of pieces as well as switching between P Mode and L Mode.

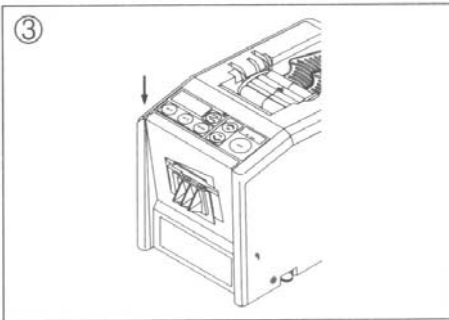
Section 8: Replacing the Cutting Unit and Error Codes:



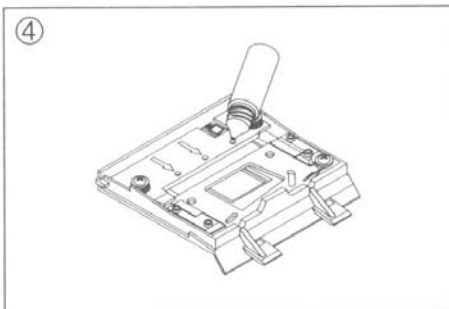
1) Remove the Cutting Unit:
Turn off power and remove the Power Cord. While pulling on the Lever for Unlocking Cutter Unit, lift the Cutting Unit out of the machine.



2) Remount the Cutting Unit:
Replace the Cutting Unit into the bottom groove and push down.



3) Caution:
Tightly push the Cutting Unit onto the body of the machine until you hear a click.



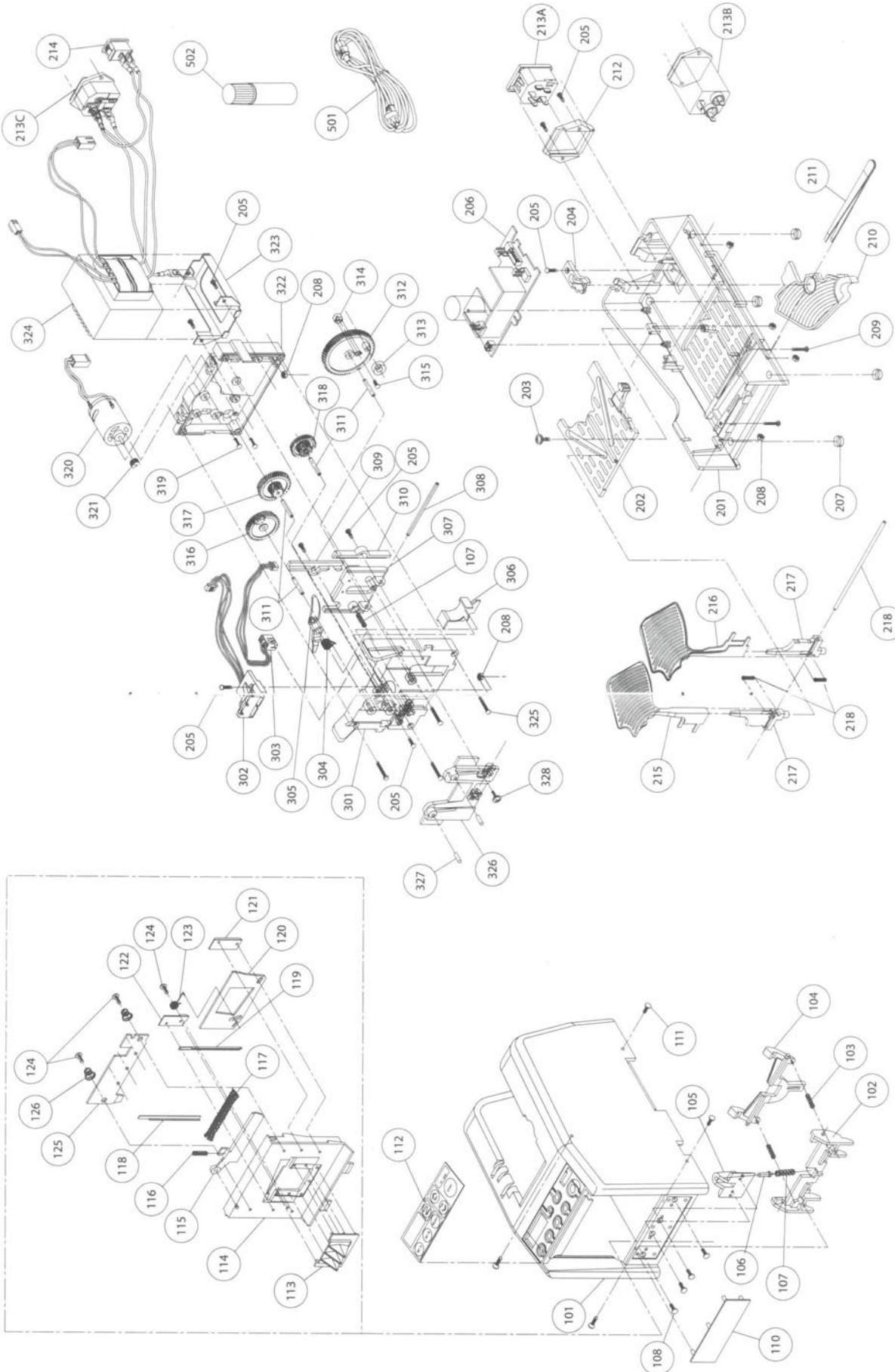
4) Lubrication:
Put 1 or 2 drops of oil into the 3 holes on the upper blade set as needed.

Error Codes:

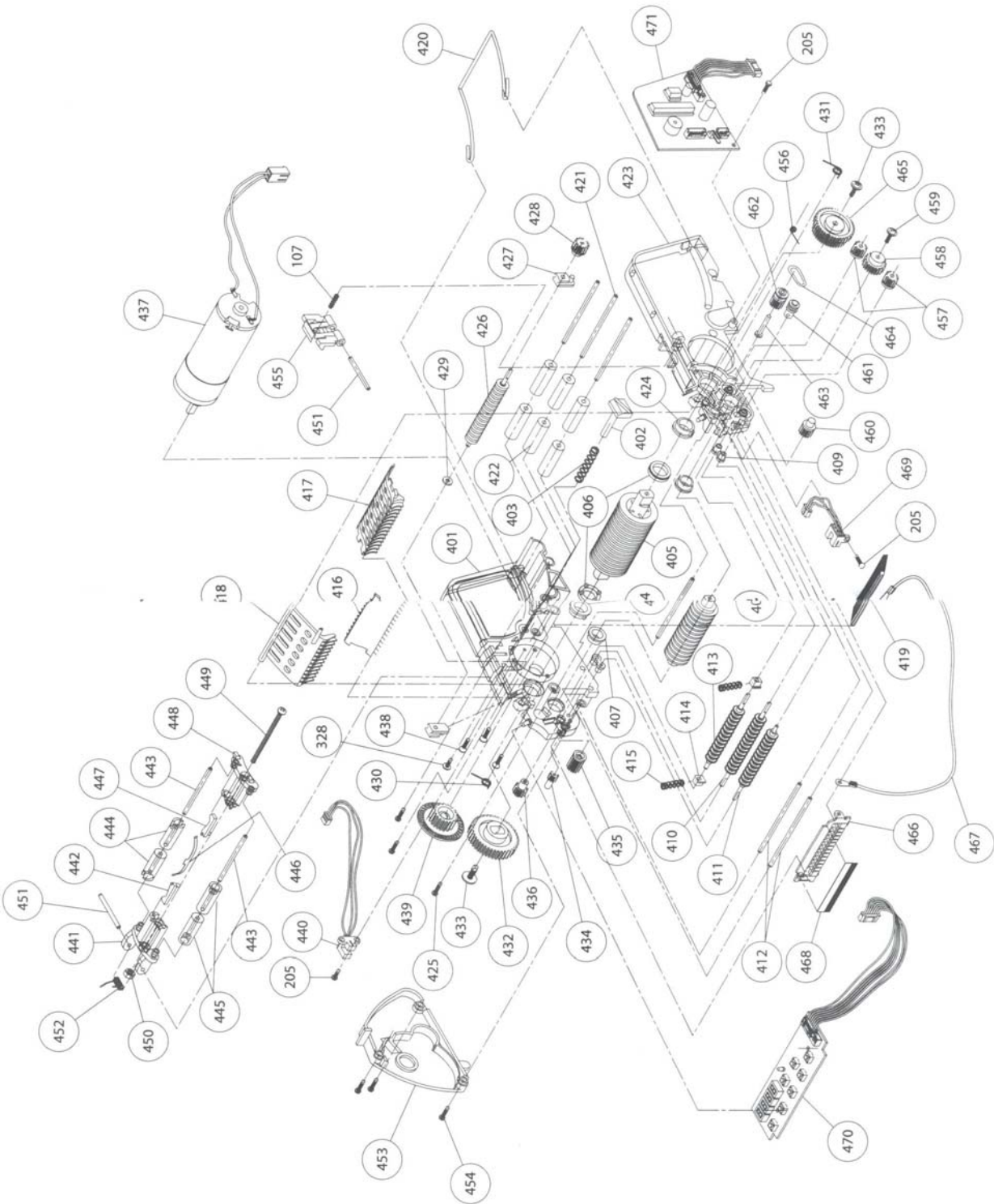
- | | |
|-----------------|---|
| E-1 With a buzz | Check for Tape Jamming |
| E-2 With a buzz | Check that Cutting Unit is functioning properly |
| E-3 With a buzz | Check that motor is functioning properly |

Press START to reset from any Error Code.

Section 9: Parts Breakdown and Exploded Views:



Section 9: Parts Breakdown and Exploded Views Continued:



Section 10: Specifications:

Model Number	Tach-It Model #6125
Display	4 Digit LCD
Cutting Length	3/8" (5mm) to 39.3" (999mm)
Core and Roll Sizes	Internal Diameter—Any size Outside Diameter—Up to 14" (350mm)
Ambient Temperature	41-104 degrees Fahrenheit (5-40 degrees Celsius)
Power Requirements	AC 110 Volt 60 Hz—25 watts
Dimensions	Width = 4.52" (115mm), Depth = 5.11" (2215mm), Height = 8.46" (130mm)
Weight	6.1 lbs (3.0 kgs)